

Fig. 100CYL Gas Compression DZR - Lever Operated



FEATURES & BENEFITS

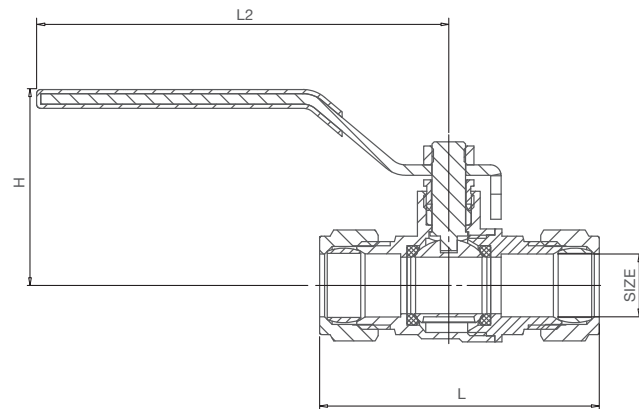
- Dezincification resistant
- Light, compact and easy to install and operate
- More resistant to damage during installation
- Sizes from 15 to 54mm
- Tested to BS EN 331:1998



MATERIAL SPECIFICATION

Component	Material
Handle Sleeve	PVC Yellow
Hex-Nut	Dacromet Plated Steel
Handle	Dacromet Plated Steel
Packing Nut	Brass CW617N
Packing Gland	PTFE
Body	DZR Brass CW602N
Seats	PTFE
Ball	CW602N
O-Ring	NBR BS EN549 approval
Bonnet	DZR Brass CW602N
Sleeve	CW507L
Sleeve Nut	CW602N
Stem	DZR Brass CW602N

DIMENSIONAL DRAWING



SPECIFICATION

UK End Connection: Compression ends to BS EN 1254-2:1998.

Operator: Lever.

Specification: Quarter turn.

PTFE seats and stem seal.

Tested by GL Industrial Services and complies with the essential requirements of BS EN 331:1998.

PRESSURE/TEMPERATURE RATINGS COMPRESSION

NON-GAS APPLICATION

Temperature °C	-10 to 30	110
Pressure bar	16	5

GAS APPLICATION

Temperature °C	-10 to 60
Pressure bar	5

Intermediate pressure ratings shall be determined by interpolation

DIMENSIONS & WEIGHTS

Nom Size	mm	15	22	28	35	42	54
L	mm	66.5	80	92.5	104.5	122	141
L2	mm	98.5	98.5	125	140	140	165
H	mm	47	51	63	78	83.5	97.5
Weight	g	212	368	608	1007	1545	2538